

# PERSONAL CHILLER

**MINI FRIDGE  
with LED Lights**



Model K1000BK

**USER GUIDE**

# PERSONAL CHILLER

**MINI FRIDGE with LED LIGHTS**

## **Introduction**

Congratulations on purchasing your ultimate gaming space Personal Chiller Mini Fridge with RGB LED Lights. This sleek black matte design conforms to any room decor and puts the convenience of chilled drinks and snacks right where you want them without having to make a trip to the kitchen fridge.

A 10-liter interior capacity includes a removable shelf with two positions and two removable door shelves to configure the unit your way. It holds a variety of beverage cans and bottles with room for packaged snacks and containers. A wireless remote control customizes vibrant colors and effects to set the mood.

### **READ ALL INSTRUCTIONS BEFORE USE**

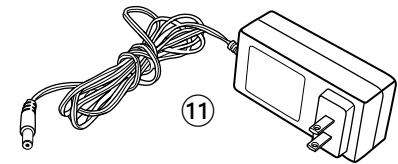
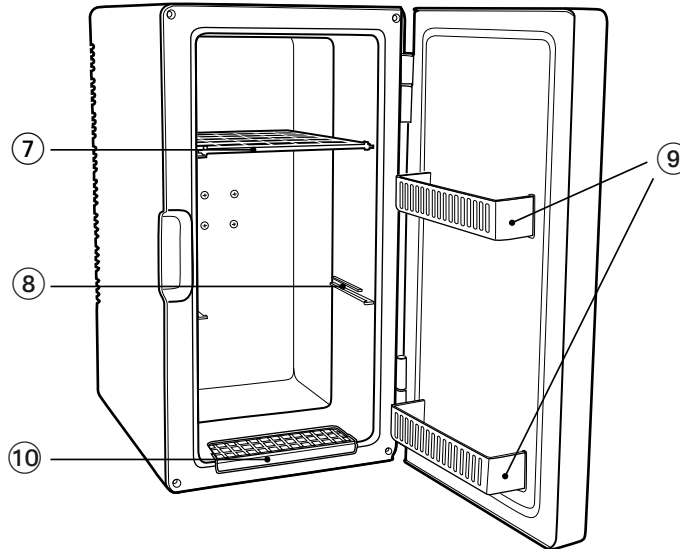
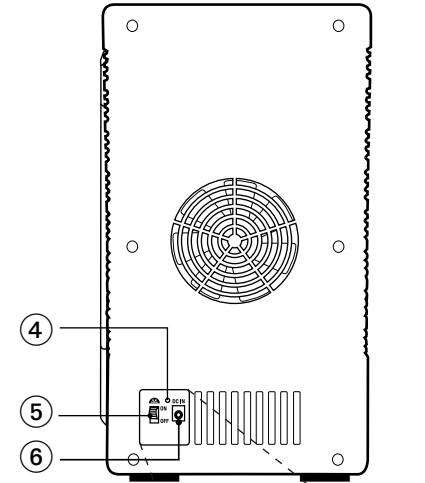
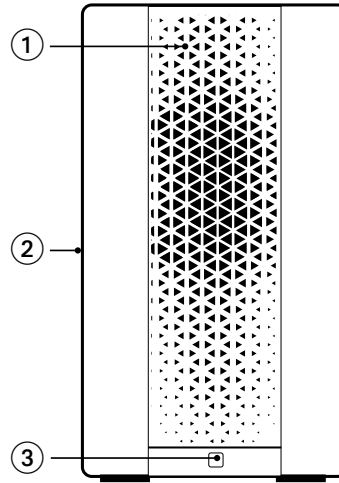
For your safety and continued enjoyment of this product, please read the instruction manual before using.

## What's Inside

Personal Chiller LED mini fridge, AC power adapter, remote control with CR2025 battery, interior shelf, two door shelves, user manual, remote control instruction sheet & customer review card.

## Location of Controls

- ① Matte Finish Door with built-in LED lights
- ② Recessed Door Handle
- ③ Remote IR Sensor
- ④ Green Indicator Light
- ⑤ ON/OFF Switch
- ⑥ DC IN port
- ⑦ Removable Shelf
- ⑧ Second Shelf Position
- ⑨ Removable Door Shelves
- ⑩ Water Reservoir
- ⑪ AC Power Adapter



# Operating Instructions



**IMPORTANT:** Before plugging in the unit, make sure the switch on the back of the unit is in the OFF position.

## Unit Placement

Locate unit a minimum of 3”(7.6cm) from wall or structure to allow proper ventilation to the back and top of the unit.

## Plugging in your Unit



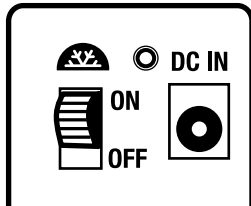
Insert the AC adapter provided by first inserting the AC adapter into the DC-in jack, and then plugging into AC wall outlet.

**NOTE:** This unit only works on 100-240v AC.

## Turning on your Unit



**FOR COOLING:** Flip the power switch from OFF to COOL setting. A green light will indicate the unit is in cooling mode.



## Configuring the Interior of Your Unit

- The removable shelf can be placed in one of two positions to best accommodate your items. Gently push the shelf up and slide it out to remove position.
- The maximum number of standard 12 fl. oz/355 ml beverage cans easily fit 10 stacked upright or laying down, and even more smaller and slim style cans in various configurations.

## Optimizing Your Unit

- Locate unit inside your home in a room best suited for your Personal Chiller. Store pre-chilled beverages, non-perishable foods and preservative-free products when possible. Items at room temperature will take 2-3 hours to achieve maximum temperature.
- When **switching from one location to another**, turn unit switch to the OFF position, and wait 30 minutes before flipping the switch to COOL.
- With proper use, this thermoelectric cooler is well insulated and will **maintain the temperature of its contents** for many hours.
- **FOR CLEANING:** Use a non-abrasive cloth and window cleaner to keep mirrored surface smudge-free and interior clean. Absorb any condensation inside with a sponge or paper towel.
- When water accumulates in the **water reservoir**, please remove reservoir and drain water, clean reservoir and replace back into unit.

**NOTE:** Do not immerse unit, or AC Adapter, in water or any liquid. Removable shelf is not dishwasher safe.

## Remote Control

Use the wireless remote to control the LED lights on your mini fridge.

- (1) For first time use, the remote has a pre-installed Lithium CR2025 battery. **Remove protective tab** to activate the remote control battery.
- (2) Press POWER button to turn LED lights on.
- (3) Enjoy the many lighting effects, or R-G-B-P-Y colors, on the mini fridge.



- Push the **RELEASE** button and pull out the battery compartment to access the battery.
- Replace the old battery with an equivalent new **CR2025** battery.
- The positive side of the battery, as indicated by a plus symbol (+), must be facing up when inserted into the remote.

## About This Product

The Personal Chiller Gamer Mini Fridge uses thermoelectric technology, a semi-conductor based system that provides temperature stability and offers an alternative to traditional refrigeration. This technology is eco-friendly and energy-efficient— it does not use hazardous gases like freon or Chlorofluorocarbons (CFCs).

The temperature range of this product is calibrated to maintain a much colder interior when properly used in a controlled environment. Recommended for indoor use only.

It is important to understand there is no thermostat and the maximum chill temperature will not reach below 43° F (6° C). It is the ideal temperature for beauty products and beverages, but not recommended for perishable foods or prolonged storage of dairy products.

### Maintains Temperature

**Always COOL**

Calibrated to reach and maintain  
43°F (6°C) – 59°F (15°C)

**NOTE:** Insulated interior keeps items at already achieved temperature for a period of time even when unplugged. Not recommended for prolonged storage of perishable items when ambient temperature exceeds 75° F (24° C).

*\*Temperature may vary based on indoor room temperature, not recommended for outdoor use.*

**NOTE:** Ambient temperature refers to the temperature of the surrounding air. For example, if the air surrounding the unit is 68°-75° F (20°- 24° C), then the unit will keep the contents chilled to a range of 43°-59° F (6°-15° C).

## Good to Know

The interior of The Personal Chiller is insulated and will keep items chilled for a period of time when unplugged.

- For in-home use, position unit a minimum of 3" (7.6 cm) from wall outlet.
- Allow 30 minutes for unit to cool.
- Not recommended for prolonged storage of perishable items when ambient temperature exceeds 75°F (\*24°C).
- Allow 1-2 hours to achieve coldest temperature based on ambient room temperature.
- Some condensation is normal, wipe interior with a cloth to prevent excessive moisture collection.
- Best for pre-chilled beverages, snacks and beauty products to MAINTAIN temperature.
- Consult label of medications, vitamins and probiotics for proper temperature storage.
- Use of extension cords is not recommended with this product.

**Child Entrapment Warning:** DANGER or WARNING: Risk of child entrapment. Before you throw away your old mini beverage refrigerator, take off the door(s). The appliance is not intended for use by young children or infirm persons without supervision. Young children should be supervised to ensure that they do not play with the appliance.

## SAFETY INSTRUCTIONS

**When using electrical appliances, these basic safety precautions should always be followed:**

1. Read all Instructions.
2. To protect against electrical shock, do not immerse cord or plugs in water or other liquids.
3. This unit only works on 100-240v AC.
4. Unplug the unit from outlet when not in use and before cleaning. Allow to cool prior to cleaning the product.
5. Do not operate any appliance with a damaged cord or plug or after any malfunction or damage to the unit.
6. Do not let the cord hang over edge of table or counter, or on a hot surface.
7. Do not place on or near a hot gas or electric burner, or in a heated oven.
8. Always attach plug to the unit first, then plug AC adapter into the wall outlet. To disconnect, turn unit to the OFF position, then remove plug from outlet.
9. When plugging in the unit, make sure the power cord is inserted tightly into the outlet. A loose socket can cause damage or fire.
10. Do not use appliance for any use other than intended use.
11. Allow adequate ventilation on all sides of the unit when in operation. Keep the fan free from any obstruction.
12. This appliance is not intended for use by persons (including children) with reduced physical, sensory or mental capabilities, or lack of experience and knowledge, unless they have been given supervision or instruction concerning use of the appliance by a person responsible for their safety.
13. Children should be supervised to ensure that they do not play with the appliance.
14. Do not store explosive substances such as aerosol cans with a flammable propellant in this appliance.
15. If the supplied AC adapter is damaged, it must be replaced by the manufacturer, its service agent or similarly qualified person in order to avoid a hazard.
16. Save these instructions.

# TERMS AND CONDITIONS

## Limited End User Warranty

Kell Electronic USA, Inc., (the "Company") warrants that their products (the "Product") are free of defects in material and workmanship for a period of 90 days (the "Warranty Period") from the date of purchase by end user. In the event that the Product qualifies for coverage under this warranty, the Company at its option and at no charge may either repair or replace the Product (not including, shipping, handling, delivery or installation) with an identical product or product having similar features and functionality as determined by the Company. The Company does not warranty the installation, maintenance, or service of its Product. The Company is not responsible for ancillary equipment not supplied by the Company, which is attached to or used in connection with the Company's Product, or for the operation of the Product with any ancillary equipment, and all such equipment and operation of such equipment with the Product, is expressly excluded from this limited warranty. Furthermore, the Company shall not be responsible for any damage to the Product resulting from the use or operation of the ancillary equipment not furnished by the Company for use with the Product.

The Company extends this limited warranty only to the original end-user. This limited warranty and the remedies hereunder are limited to Products properly used, maintained, stored, installed and used for their intended purpose and use only, in accordance with the Company instructions. This warranty shall not apply to Product installed, operated or maintained in or under abnormal conditions. This warranty is not applicable to any Product, which is not operated and/or installed in accordance with the Company's specifications and or industry practices and standards. This warranty does not extend to any battery power supply included in/with the Product.

This warranty also does not extend to the purchase of opened, used, repaired, repackaged and/or resealed products, including but not limited to sale of such products on Internet auctions sites and/or sales of such products by surplus or bulk resellers.

Any and all warranties or guarantees shall immediately cease and terminate as to any products or parts thereof which are repaired, replaced, altered, or modified, without the prior express and written permission of the Company.

This warranty sets forth all of the Company's responsibilities for the Product.

**THIS WARRANTY IS GIVEN IN LIEU OF ALL OTHER EXPRESS WARRANTIES. IMPLIED WARRANTIES, STATUTORY OR OTHERWISE, INCLUDING BUT NOT LIMITED TO ANY IMPLIED WARRANTIES OF MERCHANTABILITY OR FITNESS FOR A PARTICULAR PURPOSE, ARE LIMITED TO THE DURATION OF THIS LIMITED WARRANTY. IN NO EVENT, INCLUDING WITHOUT LIMITATION, IN CONTRACT, TORT, STRICT LIABILITY OR WARRANTY, SHALL THE COMPANY BE LIABLE TO THE PURCHASER OR TO ANY THIRD PARTY, FOR ANY DAMAGES OR FOR ANY LOSS OF USE, LOSS OF TIME, LOSS OF LIFE, INCONVENIENCE, COMMERCIAL LOSS, LOST PROFITS OR SAVINGS OR INCIDENTAL, CONSEQUENTIAL OR SPECIAL DAMAGES ARISING OUT OF THE USE OR INABILITY TO USE SUCH PRODUCT. TO THE FULL EXTENT THAT SUCH MAY BE DISCLAIMED BY LAW, COMPANY'S SOLE LIABILITY SHALL BE TO REPLACE OR REPAIR THE PRODUCT.**

**⚠ WARNING:** This product can expose you to chemicals including Lead, which is known to the State of California to cause reproductive harm. For more information go to [www.P65Warnings.ca.gov](http://www.P65Warnings.ca.gov)



**Intertek**  
**5013995**

**CONFORMS TO UL STD**  
**60335-1 & 60335-2-24**  
**CERTIFIED TO CSA STD.**  
**C22.2 NO. 60335-1 & 60335-2-24**



## Kell Cares About You!

If you need assistance, please contact  
**CUSTOMER SUPPORT** at **1-888-858-9100**  
or visit **PersonalChiller.com** for assistance.



**PLEASE RECYCLE**

Facilities may not exist in your area.

**MADE IN CHINA**

Distributed by Kell Electronic USA Inc., Houston, TX

©2022 Kell Electronic USA Inc. All rights reserved.